



Installation Instructions and User Guide

**NEWTEAM 902-T
THERMOSTATIC MIXER SHOWER**

**IN THE EVENT OF ANY QUERY PLEASE CONTACT
THE NEWTEAM CUSTOMER HELPLINE**

Tel : 01536 264 012

NewTeam

**PLEASE KEEP THIS BOOKLET
FOR FUTURE REFERENCE**

**DEAR INSTALLER WHEN YOU HAVE READ THESE INSTRUCTIONS
PLEASE ENSURE YOU LEAVE THEM WITH THE USER**

NewTeam 902-T



Contents

Installation and Operating Instructions for NewTeam Thermostatic Mixer Shower

• 902-T

Please read this booklet carefully and ensure a competent person undertakes the installation.

Note: Following the headings in sequence will guide you through the installation and operation of your NewTeam 902-T Mixer Shower.

	Pages
INTRODUCTION	3
• Plumbing	
FITTING YOUR SHOWER	4 - 7
• Important Notes	
• General	
• Fitting the Shower	
• Fitting the Riser Rail	
ADJUSTING MAXIMUM TEMPERATURE	8
• 902-T Mixer Valve	
CLEANING	9
TROUBLESHOOTING	9
SPARE PARTS LIST	9
GUARANTEE	10

Refer to back cover for Guarantee, Customer Service and Replacement Parts Policy. In the event of any query regarding installation please contact the NewTeam Customer Service Department

Tel: 01536 264 012 • Fax: 01536 409 201

E-mail: service@newteam.co.uk • E-mail: spares@newteam.co.uk

In line with our policy of continual product development the specifications may be varied and product design altered. We reserve the right to depart from the details given in this manual without prior notice.

902-T

The 902-T shower valve is thermostatically controlled.

The NewTeam 902-T Mixer Valve is suitable for the following:

- High Pressure systems to a maximum of 8.0 Bar (50 Metre Head).
- Low Pressure systems with a minimum pressure of 0.1 Bar (1 Metre Head).
- Pumped Pressure.
- Mains Pressure.

Ideally the supplies should be independent of any other draw offs (e.g. bath/basin taps).

The Thermostatic Valve includes a Temperature Limit Stop which is pre-set at approximately 38°C thus preventing accidental selection of a shower temperature which is too hot.

If the minimum operating pressure cannot be achieved or you wish to improve the performance of your shower, NewTeam Booster Pumps are available.

IMPORTANT:

When connecting pipework do not solder within 300mm (12") of the valve or expose parts to excessive heat.

NOTE - That at temperatures above 65°C air can be expelled from the water, which can cause poor performance, particularly with pumped systems, where damage to a pump could occur.

Plumbing - Fig 1

Please ensure compliance with all Water Supply (Water Fitting) Regulations, paying particular attention to Clause 15 in Water Regulations, when connecting directly to incoming cold water mains.

The Mixer Valve must be sited to provide easy access for use and maintenance.

Install non-restrictive full flow isolating valves on the hot and cold supplies to the Mixer Valve.

Ensure the Mixer Valve is not positioned in an area subject to freezing.

Make the connection into the hot water supply pipe from the cylinder ensuring that it is the first draw off on the vertical pipe below the expansion pipe tee. If this is not possible a direct connection must be made from the hot water cylinder with an Essex flange.

The cold water supply should be taken directly from the cold water storage tank positioned 60mm below the cold connection which feeds the hot water cylinder.

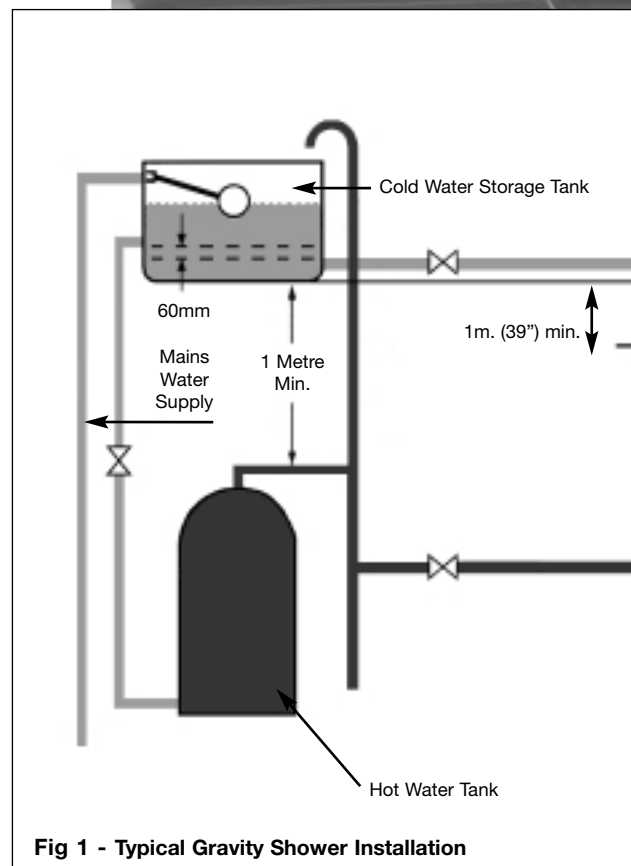


Fig 1 - Typical Gravity Shower Installation

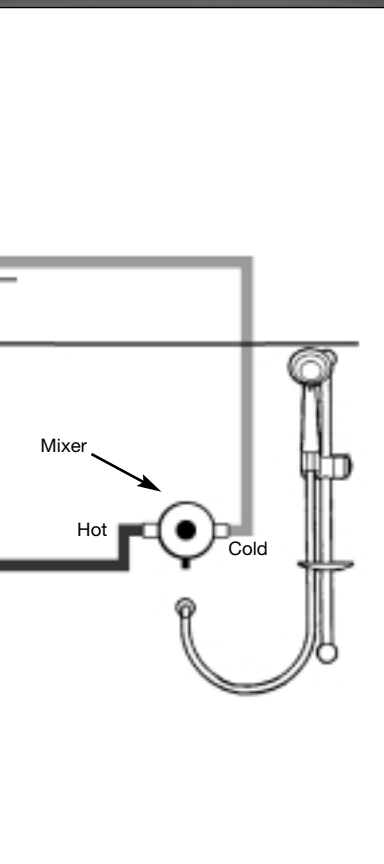
Important Notes

- The hot and cold feeds must be at nominally the same pressure. The valve must not be fed from a low pressure (gravity system) hot supply and a mains pressure cold supply.
- All pipework should be as short and direct as possible, using swept bends rather than elbows where practical, to avoid trapping air. Do not tee off the upper surface of a hot water pipe, especially near to a hot water cylinder, as this will often contain air bubbles which will adversely affect the operation of the valves. Where the shower is fed from a gravity system the use of 22mm diameter pipework is strongly recommended.
- The combination boiler or gas multipoint boiler must be capable of raising the temperature of 8 litres/min of incoming cold water by 45°C. This requires a boiler rating of 25kW (85300 Btu/h).
- The valves must be installed with the outlet pointing downwards, the HOT water coming in on the left and the COLD on the right as you view the shower on the wall. The valve will not operate if the connections are reversed.

IMPORTANT:

Modern solder fluxes are **extremely corrosive** and can damage the valves. It is **essential** that all pipework is **thoroughly flushed through** before connecting the valve. This is so that flux, debris and swarf, which could permanently damage the valve, are removed from the pipes.

- Plan the whole installation before you start. Cut the necessary pipework to length, assemble and offer up to the installation before making and soldered joints.
- Carry out any cutting with a pipe cutter in preference to a hacksaw, to minimise swarf. Always remove sharp edges.



General:

IMPORTANT

THE 902-T MIXER SHOWER IS HELD IN POSITION BY THE PIPEWORK. IT IS ESSENTIAL THAT THE PIPEWORK IS RIGIDLY SUPPORTED CLOSE TO THE VALVE.

A CONCEALED WALL MOUNT FIXING IS INCLUDED WITHIN THE SHOWER BOX. PLEASE REFER TO PAGE 6 OF THIS MANUAL.

NB: The following instructions are for fitting the shower without the installation bracket (Fig 3).

The NT902 should only be fitted where water supply pipes are behind a panel or studwork wall.

This method of fixing requires good access behind the wall or panel.

- Offer up the valve to the wall and mark the required positions of the hot and cold inlet connections. When positioning the valve make sure to take into account the intended position of the accessories riser rail.

Ensure there are no services such as gas, water pipes, electrical or telephone cables beneath the surface of the wall before drilling.

- On plasterboard (studwork) or panel walls, make two holes on 150mm centres to accept the $\frac{1}{2}$ " BSP end fitting (see Fig. 3).
- On an internal rendered brick or block wall, drill two 23mm diameter holes on 150mm centres with counterbores to accept the $\frac{1}{2}$ " BSP end fitting. If 15mm pipework is used, drill 16mm holes (see Fig. 3).

Cut two pieces of pipe, equal in length to the thickness of the wall plus an allowance for connection at the rear of the wall, terminate the pipework using a 15mm to $\frac{1}{2}$ " BSP, or 22mm to $\frac{1}{2}$ " BSP female straight tap connector to suit the pipe diameter used. (The tap connector should include a rotational hexagon nut and washer).

Tighten the $\frac{1}{2}$ " to $\frac{3}{4}$ " BSP 'dog leg' connector to the pipework, loosely fit the two cover plates half way along the $\frac{3}{4}$ " BSP thread.

Temporarily block the open ends of the pipework and pass through th wall until the cover plates are hard against the wall, fit the pipework at the rear of the wall and secure rigidly, ensuring the two outlets are level and the centres match those of the valve inlets.

- Flush out the pipework and fit the valve with the outlet connection downwards, without cover plates and check the system for leaks.
- Refit cover plate.
- Screw the valve to the pipework ensuring the washer and filter are inserted, then fully tighten.
- Adjust the cover plates to take up any slack and stiffen the assembly.

Note: If the non-return valves have to be removed at any time, please note the bushes are **Left** hand thread

NB: Hot on the left, cold on the right.

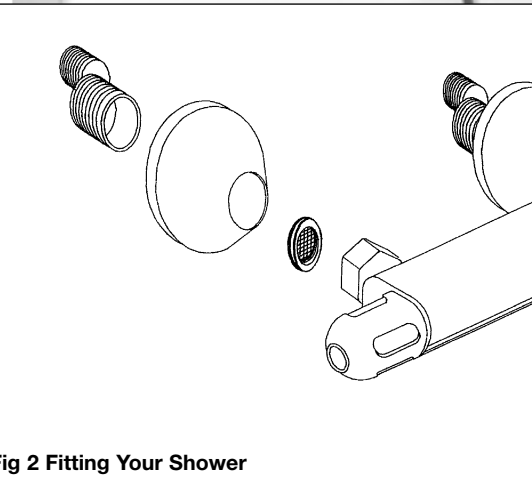


Fig 2 Fitting Your Shower

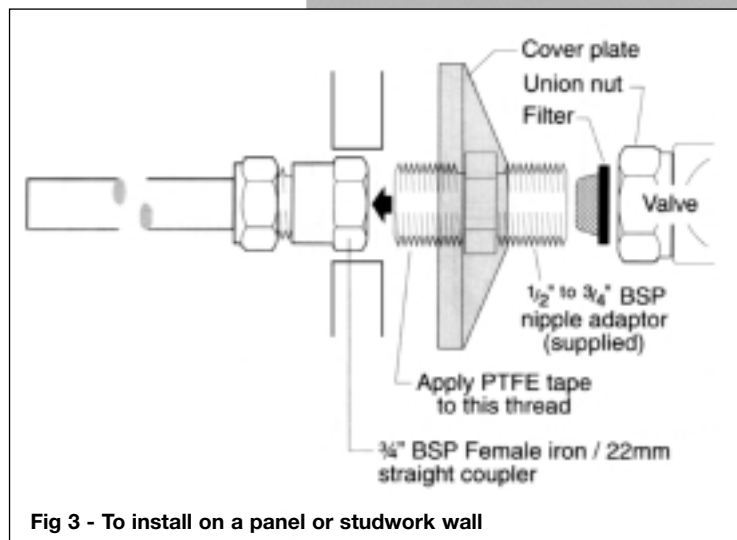


Fig 3 - To install on a panel or studwork wall

Fitting The Shower

NB: The following instructions are for fitting the shower with the installation bracket (Fig 4).

The NT902 should only be fitted where water supply pipes are behind a panel or studwork wall.

- Identify all components and check for completeness, particularly before arranging fitting.
- Fix the mounting plate to the internal wall or studding using suitable fixings (not supplied). Use a spacing batten or similar as necessary. Connect the hot and cold water supplies using 15mm copper pipe with the nuts and olives (supplied). Supplies can come from above or below making sure Hot is on the left and Cold is on the right when viewed from the front.
- Finish the wall and push-fit the shrouds as shown. Note! A small bead of silicon sealant between the wall finish and the spigot diameter under the shroud should prevent any moisture entering the wall.
- Fit the mixer body to the $\frac{3}{4}$ " BSP mounting spigots using the large sealing washers supplied with your fitting.

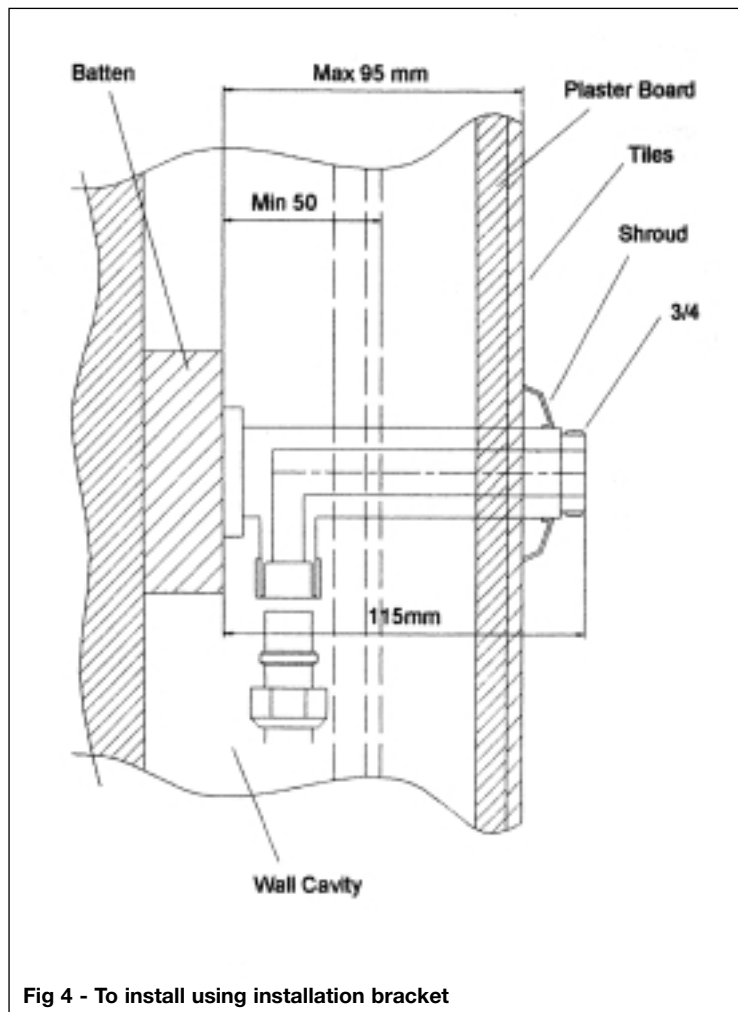
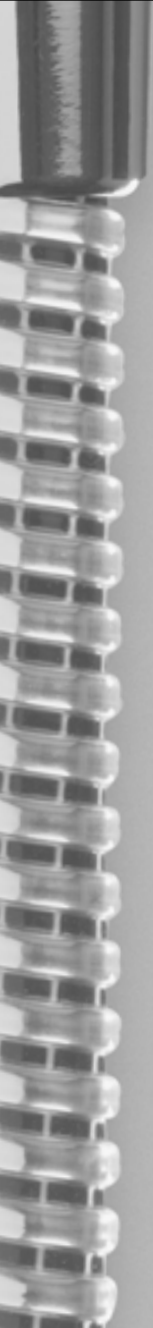
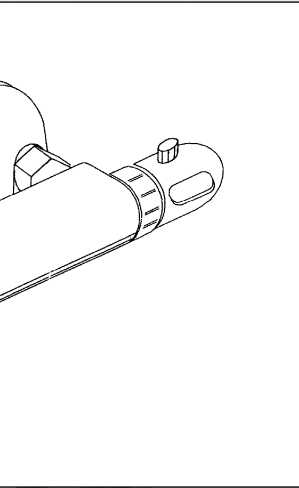


Fig 4 - To install using installation bracket

Shower Rail Kit - Fig 5

Before proceeding with fitting the rail, identify each of the items supplied using the illustration.

No	Part Description
1	Rail end
2	Rail end caps
3 & 4	Rail with slider attached
5	Soap dish
	Rail fixing screws & wall plugs

The slider must not be removed from the rail during fitting. The top of the slider has a smooth profile, whereas the underside has a recess revealing the grooves on the handset holder.

Fit the rail through the friction sleeve on the soap/gel dish with the sleeve towards the lower end of the rail.

Fit the rail ends onto the ends of the rail.

Position the rail on the wall, bearing in mind the heights of people likely to use the shower, and mark the wall to indicate the upper and lower fixing screw positions. Drill the wall at one of the marked fixing positions using a 6 mm drill. Loosely fix the appropriate rail end and check that the other fixing screw mark is in the correct position.

Secure the rail to the wall. Ensure that the rail is vertical before finally tightening both fixing screws.

Fit the rail end caps.

When fitting the hose, it should pass through the centre hole of the soap dish.

NOTE - The hose nut, and not the handset handle, fits into the slider, and the slider moves more freely on the rail, if gripped next to the rail rather than at the handset.

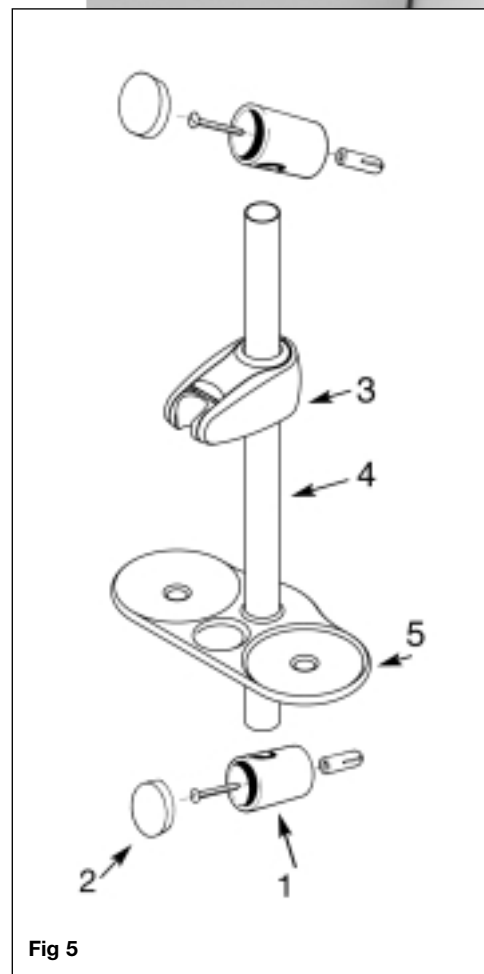
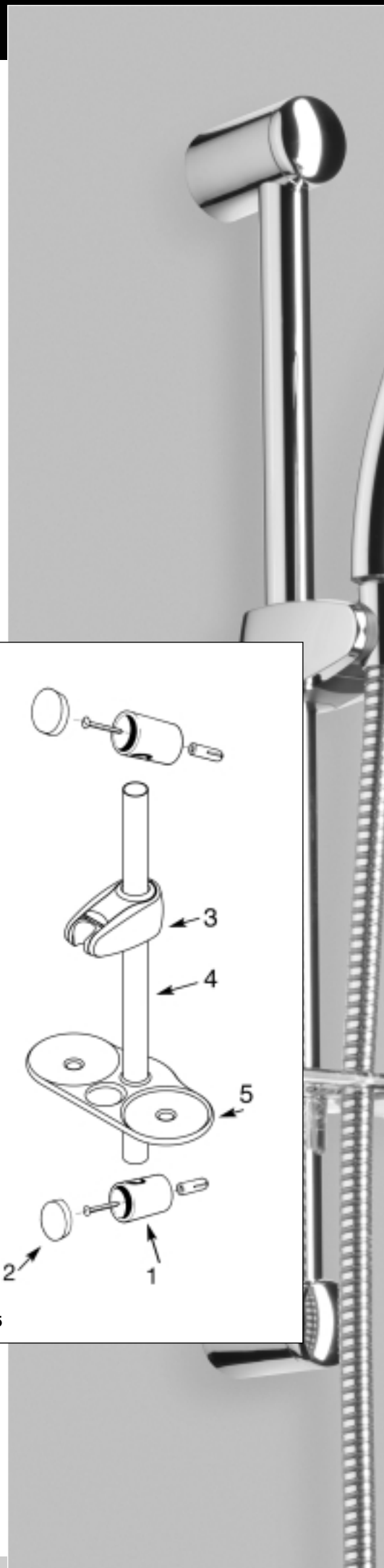


Fig 5



Adjusting Maximum Temperature

- These mixer valves have been calibrated at the factory using balanced pressure hot and cold supplies and a hot water supply temperature of 65°C.
- When the installation conditions of the mixer valve are different to the factory settings, the temperature of the mixed water obtained from the mixer valve may not correspond exactly with the temperatures shown on the valve.

If required, the valve can be adjusted to ensure that the indicated temperature is the same as the temperature obtained from the mixer. To do this, carry out the following steps:-

902-T Mixer Valve - Fig 6

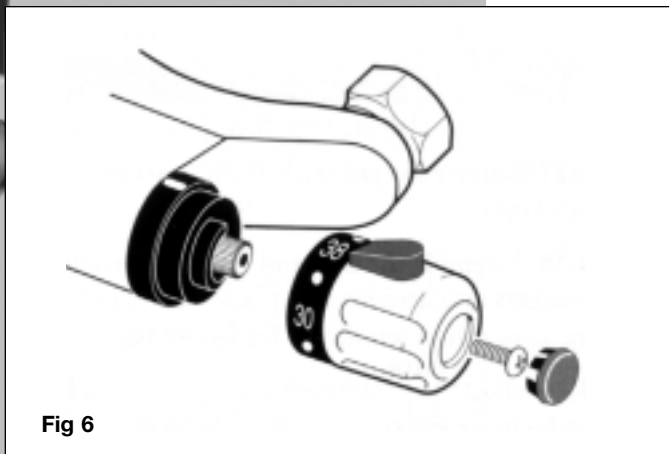


Fig 6

1. Rotate the temperature control knob so that the water issuing from the mixer is at 38°C.
2. Without moving the temperature control knob, remove the screw cover from the end of the knob and unscrew the fixing screw.
3. Remove the control knob, complete with the black ring containing the temperature figures.
4. Refit the end of the control knob so that the figure 38 corresponds to the indicator on the mixer body.
5. Replace the fixing screw and refit the screw cover.

Note. To set a different temperature at the limit stop position, follow the above steps but adjust the temperature of the water to correspond to the limiting temperature required before the temperature control knob.

Cleaning

Do not at anytime use bath cleaning liquids, powders or specified non-scratch cleaners on surface finishes. In order to avoid surface wear on any of your shower fittings when cleaning, always use a damp cloth. For persistent stains or marks, you may use a domestic washing-up liquid.

Troubleshooting

In the unlikely event of a problem, consult the trouble shooting chart below and follow the order below. If you are unable to remedy the problem, CONTACT YOUR INSTALLER IN THE FIRST INSTANCE.

Do not attempt any plumbing work unless you are competent to do so.

Fault	Solution
After installation shower will only run HOT or COLD.	Hot and Cold supplies are plumbed in the wrong way round.
Low or reduced flow.	(a) Debris/scale in shower handset. Clean handset. (b) Servicing valves not fully open. Open valves. (c) Filters partly blocked. Turn off servicing valves, remove mixer valve and clean filters.
Maximum temperature too low or too high.	Re-adjust maximum temperature. See Adjusting Maximum Temperature.

Spare Parts List

1.	SP-245-0001-CP	Rail Ends
2.	SP-280-0302-CP	Rail & Slider
3.	SP-168-0211-CP	Zag Handset
4.	SP-285-0820-CP	Hose



Guarantee

Thank you for purchasing a NewTeam product, which has been designed, manufactured and tested, in the U.K., to the highest standards.

Guarantee. 2 Years - First Year - Parts and Labour, Second Year - Parts Only

This guarantee applies to products purchased within the United Kingdom or Republic of Ireland, but does not apply to products used commercially.

This is provided that:

1. The guarantee registration card is completed and returned within ten days complete with a copy of proof of purchase.
2. The product is installed and operated in accordance with our instructions and has not been misused or damaged.

This in no way affects your statutory rights as a consumer.

The information on the Guarantee card helps NewTeam to process any claims and contact you about your product and its maintenance if required. The registration of your personal details is purely for NewTeam use, and the other information helps us to make products for the future.

NewTeam Shower products are designed, manufactured and tested to the highest standards.

Should a complaint arise, products are guaranteed against faulty workmanship and materials for a period of 12 months from the date of purchase, when in domestic use (second year guarantee is parts only). For your guarantee to be valid, your shower must be installed by a competent person, in accordance with the instruction manual. Failure to do so will result in a service call charge being levied.

Home visits are made between 8.30am and 5.00pm Monday to Friday. Visits may be available outside these hours at our discretion, in which case a premium will be charged.

NewTeam will repair or replace (at our option), free of charge, any faulty components during the guarantee period, provided it has been maintained and operated in accordance with our instructions, and has not been misused or damaged.

Modification or repair of this product by person(s) not authorised by NewTeam will invalidate this guarantee.

This guarantee does not affect your statutory rights.

Service Policy - Replacement Parts Policy

IMPORTANT:

In the event of product or component malfunction, DO NOT tamper with or remove the product from site. Telephone NewTeam Customer Service Department on 01536 264 012 and be prepared with the date of purchase, model number and a description of the complaint.

Our service staff are fully qualified to advise on correct installation procedures and will be able to diagnose whether the fault will require a replacement part or a visit from a NewTeam engineer.

If required, a service call will be booked, and either yourself or an appointed representative (who should be a person of 18 years or over) must be present during the visit.

All site visits to product within the guarantee period will be carried out free of any parts or labour charges provided the conditions of the guarantee have been adhered to. (Second year guarantee is parts only)

All site visits to product out of guarantee will be subject to charges for parts and labour which is payable by you or your appointed representative at the time of the visit. Charges will also be levied on cancelled appointments, unless advised to NewTeam at least 24 hours in advance of the agreed date and time.

We reserve the right not to undertake work where payment cannot be made to our engineer at the time of the visit.

NewTeam hold stocks of components for all their range of products and these will be maintained for the duration of their life.

Should a product be discontinued, spare parts stocks will be maintained, but in the event of a part becoming unavailable NewTeam reserve the right to supply a substitute of equal quality.

The following payment methods can be used to obtain spare parts:

By post, pre-payment of proforma invoice by cheque or postal order.

By telephone quoting credit card (Mastercard, Visa or Visa Delta) details.

REPLACEMENT PARTS:

Tel: 01536 409 222 • Fax: 01536 409 201 • E-Mail:spares@newteam.co.uk

CUSTOMER SERVICE HOTLINE:

Tel: 01536 264 012 • Fax: 01536 409 201 • E-Mail:service@newteam.co.uk



NewTeam

GUARANTEE CARD

Please post immediately enclosing a copy of proof of purchase

FOR NEWTEAM USE

AFFIX PRODUCT LABEL HERE

This label identifies your product and provides all the information needed

NewTeam Mixer Shower

902-T

Proof of purchase enclosed

YES

NO

NAME:

ADDRESS:

POSTCODE:

DATE OF PURCHASE:

PRODUCT PURCHASED FROM:

TOWN:

NewTeam's philosophy is to offer outstanding products with quality and integrity, please help us by taking the time to answer the following questions. Thank you.

MARKETING INFORMATION

1. Please state your profession: Plumber Builder Electrician Customer
Other (please specify) _____

2. Please state the reason for purchasing a shower: New Build Replacement
Renovation Other (please specify) _____

3. If the product is a replacement shower, please state the type and make of the shower it is replacing: _____

4. What influenced you to purchase the 902-T Mixer Shower: Advertisement
Trade Press Recommendation from Stockist Recommendation from Installer
Other (please specify) _____

5. Please state your main reason for purchasing the 902-T Mixer Shower:
NewTeam Product Knowledge Product Features Product Styling Price
Other (please specify) _____

Please tick here if you do not require any further information or product updates from NewTeam

POST BACK

FOLD AND TAPE AS INSTRUCTED OVERLEAF



NewTeam Ltd.

Customer Service Dept.
Brunel Road
Earlstrees Industrial Estate
Corby
Northants
NN17 4JW

Please tape down

Please tape down

3rd Fold

Affix
Stamp



NewTeam Ltd.

Customer Service Dept.

Brunel Road

Earlstrees Industrial Estate

Corby

Northants

NN17 4JW

1st Fold

2nd Fold